



TopHusk™
Huller and
Husk Separator.
DRHE/DRSD

TopHusk™

• **Powerful** • **Reliable** • **Compact** • **Modern**

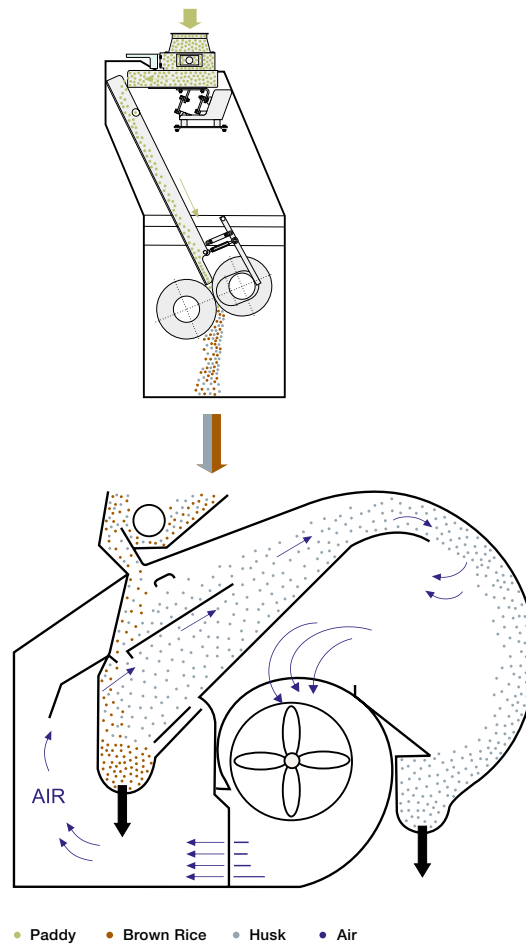


Designed to be powerful and reliable - TopHusk™, the new compact huller and hull separator from Bühler is a perfect fit in your modern rice mill. TopHusk™ is well equipped to give your milling process a head start.

Application

The TopHusk™ hulls paddy rice with highest care and efficiency.

- High head rice yield
- High hulling degree
- High capacity
- Accurate husk separation
- Consistent product quality



Function

A feed point connected to a chute with a vibro feeder guides each grain at optimal speed accurately between the rubber rolls. The huller adjusts its pressure appropriately to adapt to different types of paddy. The aspiration air blows around the rolls for intensive cooling.

The generously sized husk separator works with optimised flow of grains in a closed air circuit to separate the husk from the brown rice accurately. This modern technology finally generates two clean fractions.

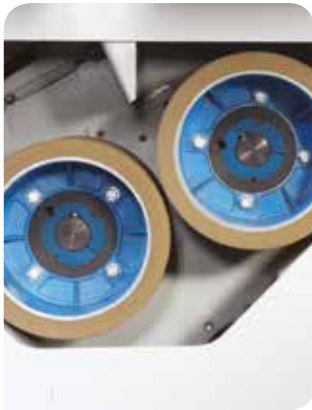
Accurate husk separation

This design eliminates a cumbersome third fraction and achieves accurate husk separation. The process can be easily inspected through the large sight windows and adjusted accurately with the ergonomic levers.



TopHusk™

Give your milling process a head start.



Powerful - Constant high hulling action

- Accurate setting of high hulling degree ensures perfect and constant hulling in high capacity
- In spite of wear on rubber rollers with corresponding change in ratio, hulling degree remains constant, thus ensuring high head rice yield
- Automatic hulling pressure control maintains constant hulling degree even under changing roller temperature. This results in steady constant power consumption and longer roller life



Reliable - High operating performance

- Vibro feeder helps in precise feeding without choking
- Product pre-acceleration via chute assures minimum breakage at high capacity
- Automatic feed point control compensates for the roll wear
- Paddle plates made of high wear-resistant steel
- Consistent product quality
- Platform on operation side for better access



Compact - Sturdy and Streamline design

- Motor position at the centre of the swivel arm
- Even product distribution across separating zone
- Compact hull separator unit with closed circuit airflow
- Connection to efficient aspiration system
- Extra wide machine housing of separator for low specific load of air stream
- Minimum breakage at high capacity
- Longer chute length to improve the feeding



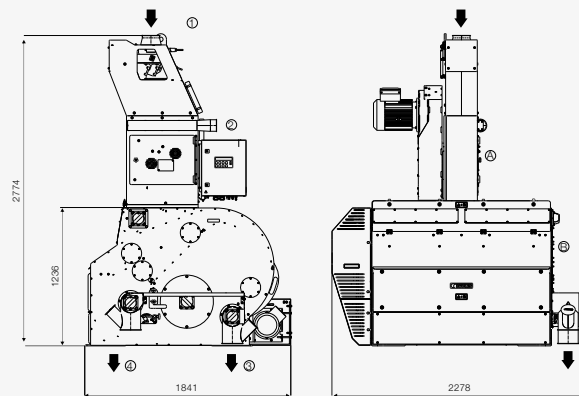
Modern - Easy to operate and maintain

- High-performance Hybrid belt as a standard fitment to provide long service life
- User friendly touch pad to control feed rate, hulling degree and manual discharge of vibro feeder
- Automatic disengaging at product flow interruptions
- Control system with display that shows status and error messages

TopHusk™

Technical data.

DRHE/DRSD



Dimensions, air and power requirements

DRHE/DRSD


| | |
|---|----------|
| Capacity rice input (t/h) | 3-7 |
| Motor (kW) | 7.5/4.75 |
| Aspiration pressure (mbar) | 13-18 |
| Air volume (m ³ /min) | 7 / - |
| Approx. weight kg - Unpacked | 650/960 |
| Approx. weight kg - Rail worthy packing | 720/1060 |
| Approx. weight kg - Sea worthy packing | 790/1360 |
| Volume m ³ packing | 3/7 |

*Depending on the type of product and finished product quality

**Capacity as plant paddy input.

Exclusively Distributed by:

GRAINSCO
Grains Innovation & Solutions Co., Inc.

 **MANILA OFFICE**
Unit 206, Veria Bldg., 62 West Avenue,
Quezon City 1104, Metro-Manila, PH

 **FARM MACHINERY**
0917 101-8888 / 0919 088-8881

 **GRAIN PROCESSING**
0917 103-8888 / 0919 088-8883

 info@grainsco.com

 www.grainsco.com

 facebook.com/Grainsco

 instagram.com/grainscoph

 youtube.com/@grainscoph