



Pick-up cleaner.
LALA.

A new generation of paddy coarse cleaning systems. **Pick-up of long impurities without manual intervention.**

It is no rare thing that freshly harvested material from the field contains huge amounts of long impurities. This causes the inlets and outlets of the machines to become clogged up very quickly. The innovative Bühler pick-up cleaner is the only solution that can counteract this problem. Therefore it is an essential first step in the cleaning process.

Unique and reliable coarse cleaning.

Especially in countries where paddy or other types of grains are mostly manually harvested, packed and then transported in plastic bags, a large amount of long impurities such as straw and bag strings tends to accumulate. Thanks to the new and unique cleaning principle with a rake unit, the Bühler pick-up cleaner is the only solution on the market to be able to reliably remove huge amounts of coarse particles without clogging up the machine or the downstream machinery. This ensures top-class cleaning results in subsequent processes.

Easy maintenance and high safety standards.

The pick-up cleaner consists of robust components which guarantee a long service life. As all the machine's moving parts are covered, the operating personnel is well protected. The machine operates automatically and requires virtually no manual intervention which means that it is easy to use and maintain.

Ensuring optimal preparation for subsequent processes.

Removing most of the large impurities reduces wear on the downstream equipment and means that less cleaning is required. Furthermore, higher capacities in subsequent process steps are possible because the product has already been pre-cleaned. In combination with a sieving machine such as the Bühler TAS, the pick-up cleaner is the first and essential element in an automatic cleaning line, and assures optimum preparation for storage, drying and/or further processing.

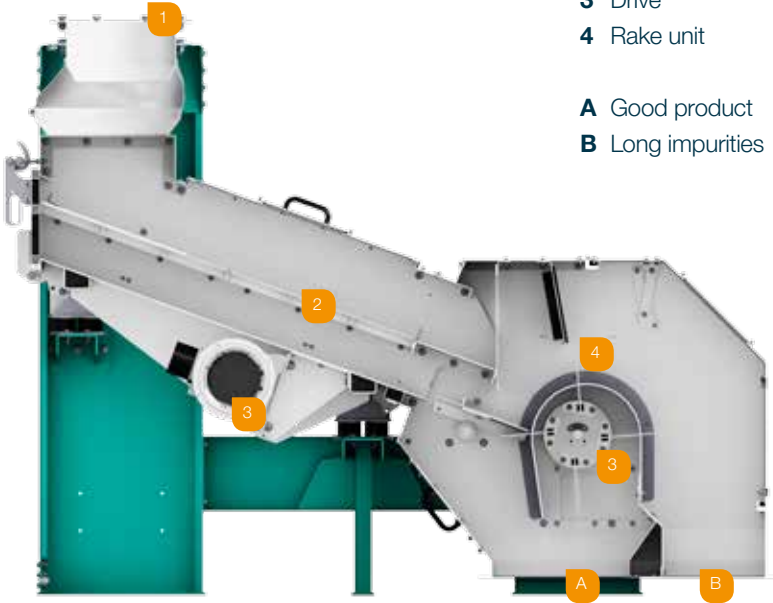
The benefits at a glance:

- Less time intensive cleaning and reliable protection of downstream machines
- Improved cleaning quality and higher capacities in subsequent processes
- Automated, high-capacity process



Well-thought-out, robust design. For smooth processing.

Functional diagram
LALA



- 1 Product inlet
- 2 Vibrating sieve
- 3 Drive
- 4 Rake unit

- A Good product
- B Long impurities

„The LALA pick-up cleaner has improved our pre-cleaning paddy quality which has a significant role in enhancing the overall production. It’s really a wonderful invention by Bühler for separating strings from the fresh harvested paddy. The paddy quality going towards parboiling is now much more superior than before which results in increasing profitability”.

- Naxalbari Flour & Rice Mill, West Bengal, India


Technical data and capacities:


LALA 25		
Throughput rate		
Paddy (0.55 t/m ³ , 20 % H ₂ O)	t/h	25
Operating width	m	1.25
Screen area	m ²	1.46
Motor power		
Vibromotor	kW	0.68
Rake unit		0.37
Total weight	kg	930
Dimensions (L x W x H)	m	2.27 x 1.61 x 1.69



Exclusively Distributed by:

GRAINSCO
Grains Innovation & Solutions Co., Inc.

 **MANILA OFFICE**
Unit 206, Veria Bldg., 62 West Avenue,
Quezon City 1104, Metro-Manila, PH

 **FARM MACHINERY**
0917 101-8888 / 0919 088-8881

 **GRAIN PROCESSING**
0917 103-8888 / 0919 088-8883

 info@grainsco.com

 www.grainsco.com

 facebook.com/Grainsco

 instagram.com/grainscoph

 youtube.com/@grainscoph